

# SONIFEX

RB-MSP6

6 Way +48V Phantom Power Supply

# Catalogue <sup>2015</sup>



# RB-MSP6 6 Way +48V Phantom Power Supply



## Specification For RB-MSP6

Mains Inputs:	2 x Filtered IEC, 90V-264V, 47-63Hz, fused, 20W maximum
Fuse Ratings:	2 x Anti-surge fuse 1A 20 x 5mm
Phantom Power Outputs:	6 x locking DC connectors, 2.5mm pin, 48V DC, 50mA maximum current, protected by resettable fuse.
<b>Equipment Type:</b>	
RB-MSP6:	6 way +48V phantom power supply
<b>Physical Specification:</b>	
Dimensions (Raw):	28cm (W) x 10.8cm (D) x 4.2cm (H) (1U) 11" (W) x 4.3" (D) x 1.7" (H) (1U)
Dimensions (Boxed):	36cm (W) x 20.5cm (D) x 6cm (H) 14.2" (W) x 8" (D) x 2.4" (H)
Weight:	Nett: 1.2kg Gross: 1.5kg Nett: 2.6lbs Gross: 3.3lbs
<b>Accessories:</b>	
RB-RK2:	1U rear panel rack kit for small Redbox range



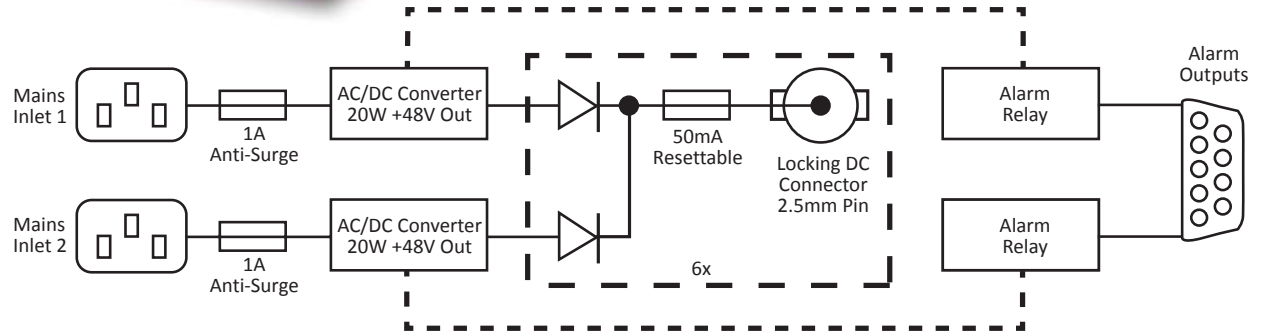
**Category:** Phantom Power Supplies.

**Product Function:** Providing multiple +48V power outputs.

**Typical Applications:** Connecting to multiple RB-MSP6 microphone splitters to ensure phantom power redundancy for connected microphones.

**Features:**

- Dual redundant IEC power inlets.
- 6 x locking DC output connectors.



The RB-MSP6 is a 1U rack-mount phantom power supply, designed to be used in conjunction with up to six RB-MS4X3s, providing mains input redundancy to ensure the target microphones remain powered in the event of a single mains failure.

Two mains AC inlets power separate 48V supplies that are diode fed to six locking DC connector outputs. Each output connector is individually protected with a resettable fuse rated at 50mA, so a fault on one output will not affect the others.

Should either of the 48V supplies fail, or if their AC power input is removed, the corresponding red front panel LED will extinguish, and a relay alarm output is provided on the rear panel D-Type.

# **SONIFEX**

[www.sonifex.co.uk](http://www.sonifex.co.uk)

---

**UK Office:**

**Sonifex Ltd**

61 Station Road, Irthlingborough,

Northants, NN9 5QE, UK

Tel: +44 (0) 1933 650700

Fax: +44 (0) 1933 650726

Email: [sales@sonifex.co.uk](mailto:sales@sonifex.co.uk)

**Australian Office:**

**Sonifex Pty Ltd**

12/6 Leighton Place,

Hornsby NSW 2077, Australia

Tel: +61 (2) 9987 0499

Fax: +61 (2) 9476 4950

Email: [sales@sonifex.com.au](mailto:sales@sonifex.com.au)