

SONIFEX

Redbox RB-DA4x5

4 Input, 4 x 5 Output Distribution Amplifier/Mixer

2014-15
Catalogue





RB-DA4x5 4 Input, 4 x 5 Output Distribution Amplifier/Mixer



Category: Audio Distribution Amplifier.

Product Function: Mixing & distribution of 4 mono analogue audio inputs to 4 sets of 5 mono outputs.

Typical Applications: Distribute line level signals to multiple reporters in a broadcast centre, at a radio station to distribute a PC automation output to up to 5 studios, to distribute a main programme output from a mixer to other studios, to create multiple mix minus feeds or to create multiple stereo to mono outputs.

Features:

- 4 input, 20 output distribution amplifier.
- Audio presence LED's for inputs or outputs.
- Balanced I/O that can be wired unbalanced.
- Outputs a 1kHz test tone e.g to check transmission lines.
- Front panel cover to secure settings.
- Input and output gain adjustment.

The RB-DA4x5 is a 1U rack-mount combined distribution amplifier and mixer. It has 4 mono analogue audio inputs on female XLR and 4 groups of 5 outputs on 15 way D-type connectors.

Each output group has a five way front-panel DIP switch assigned to it which is used to select the input(s) to send to the output group. This enables each of the four inputs, or a 1kHz 0dBu tone, to be mixed to the output group.



The inputs and outputs are electronically balanced and can be wired unbalanced. Each input has adjustable gain using a pre-set potentiometer, providing a gain range of -8dB to +18dB.

Each output is individually buffered so that a short circuit on one output won't affect

the others. The output gain of each group can similarly be adjusted between -8dB and +18dB using pre-set potentiometers.

The DIP switch settings and gain controls are recessed beneath a front-mounting screw-on cover so that settings can not be accidentally altered, for secure applications.

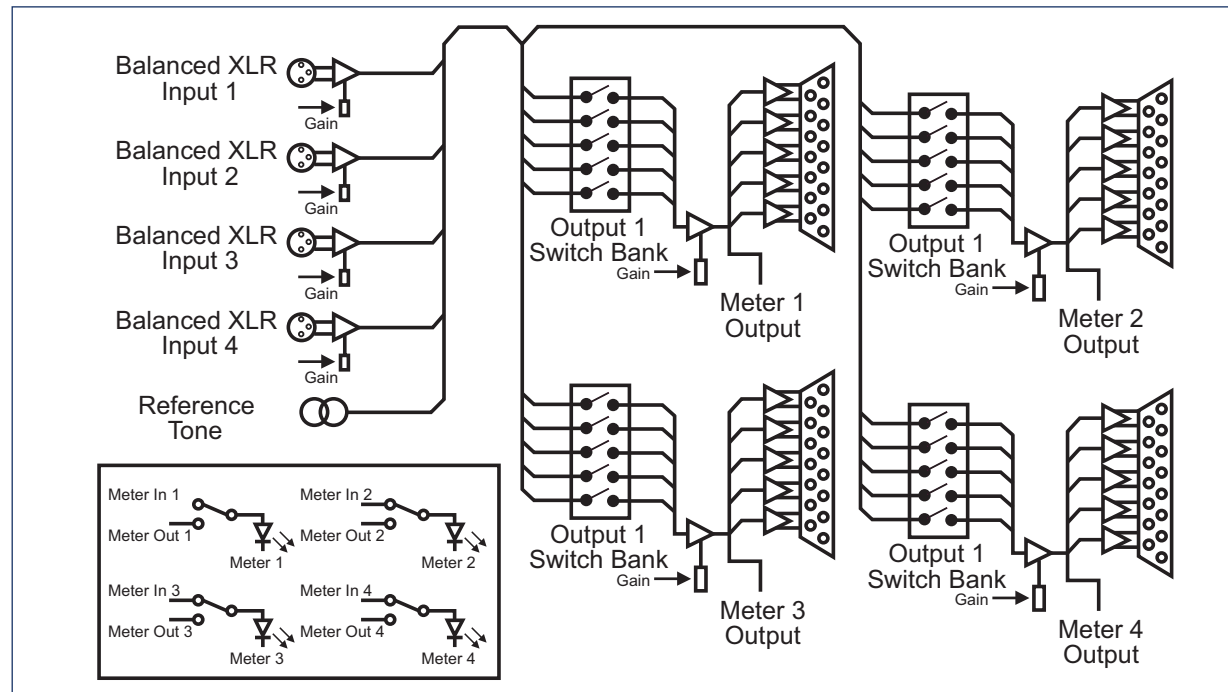
Four bright front-panel signal present LEDs show the levels of either the inputs or the output groups by pressing the AUDIO PRESENCE button. The LEDs will show green illumination from -12db through to 0db, amber from 0db through to +6db and red for inputs and outputs at +6db and over.

Specification For RB-DA4X5

Audio Specification	
Maximum Input Level:	+28dBu
Maximum Output Level:	+28dBu
Frequency Response:	20Hz to 20kHz ±0.1dB (600Ω load, ref 1kHz)
Input Gain Range:	Adjustable 8dB loss to 18dB gain (channel 1-4 adjust)
Output Gain Range:	Adjustable 8dB loss to 18dB gain (group 1-4 adjust)
Input impedance:	>20kΩ bridging
Output impedance:	<50Ω
Distortion:	0.01% THD @ 1kHz, ref +8dBu output
Noise:	-100dB unity gain, ref +8dBu output
Common Mode Rejection:	>66dB typically
Connections	
Inputs (4 x Mono):	4 x XLR 3 pin female (balanced, can be unbalanced)
Outputs (20 x Mono):	4 x 15 way D-type male plug (balanced, can be unbalanced)
Mains Input:	Filtered IEC, switchable 110-120V, or 220-240V, fused, 9W max
Fuse Rating:	Anti-surge fuse 100mA 20 x 5mm (230VAC) Anti-surge fuse 250mA 20 x 5mm (115VAC)

Equipment Type	
RB-DA4x5:	4 Input, 4 x 5 output distribution amplifier/mixer
Physical Specification	
Dimensions (H) (1U)	48cm (W) x 15.8cm (D*) x 4.2cm (H) (1U)
(Raw):	19" (W) x 6.2" (D*) x 1.7 (H) (1U)
Dimensions (Boxed):	59cm (W) x 27.5cm (D*) x 11cm (H) 23.2" (W) x 10.8" (D*) x 4.3" (H)
Weight:	Nett: 1.6kg Gross: 2.2kg Nett: 3.5lbs Gross: 4.8lbs

* Note that this product is deeper than standard Redboxes



RB-DA4x5 Block Diagram.

SONIFEX

www.sonifex.co.uk

UK Office:

Sonifex Ltd

61 Station Road, Irthlingborough,

Northants, NN9 5QE, UK

Tel: +44 (0) 1933 650700

Fax: +44 (0) 1933 650726

Email: sales@sonifex.co.uk

Australian Office:

Sonifex Pty Ltd

Unit 12/6 Leighton Place, Hornsby,

New South Wales 2077, Australia

Tel: +61 (2) 9987 0499

Fax: +61 (2) 9476 4950

Email: sales@innescorp.com.au